

Digitax HD M75X SI-Option Mounting Kit Installation Sheet

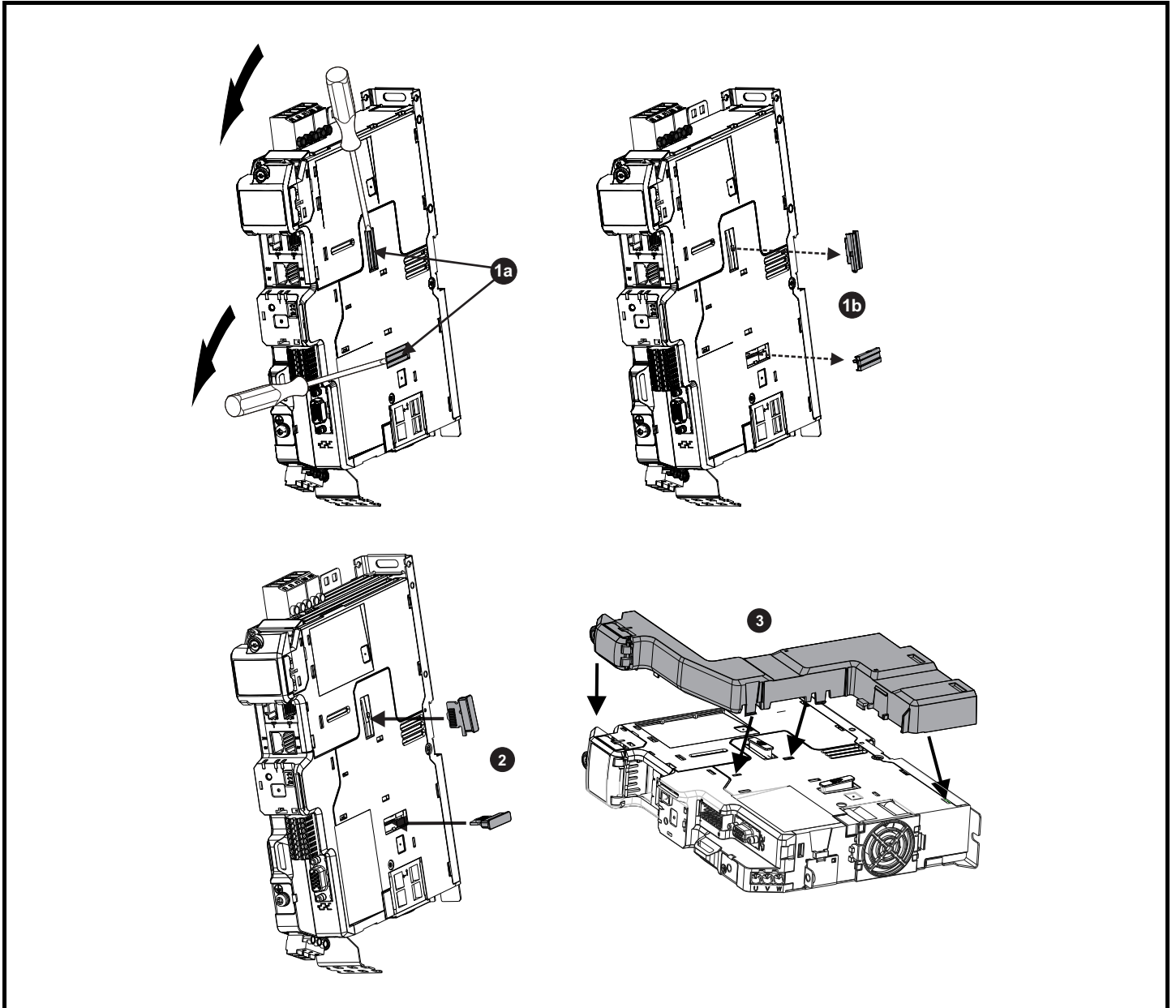


Remove the AC/DC power as well as the 24 Vdc supply to the drive before installing / removing the option module. Failure to do so may result in damage to the product.



Care must be taken when handling the option module interface card to avoid contaminating the gold contacts. Gold contacts must not be touched directly, handle the interface card using the protective cover provided in the mounting kit.

Figure 1-1 SI-Option Mounting kit installation

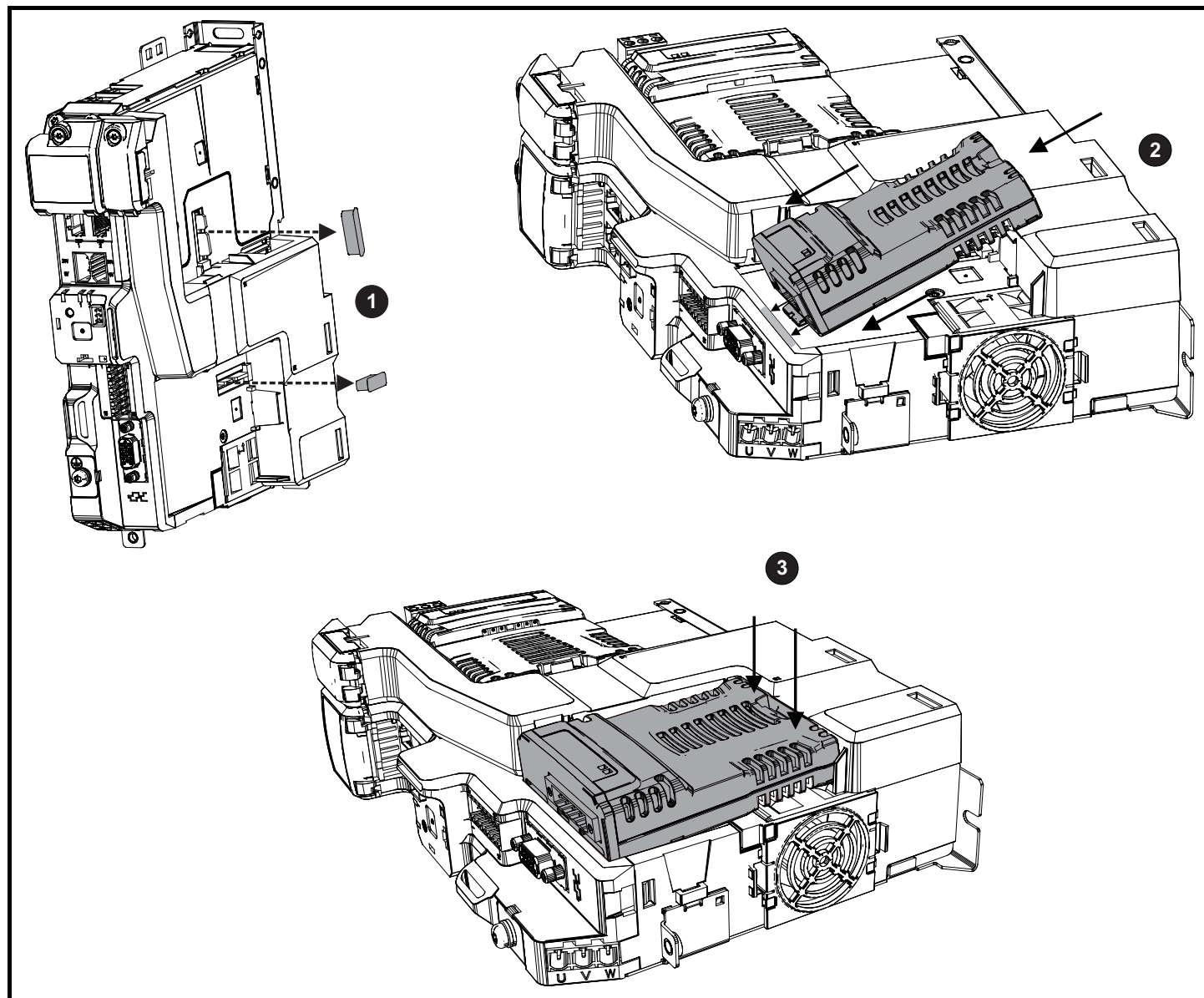


1. Insert a flat head terminal screwdriver underneath the option module slot covers and prise out in the direction shown as highlighted (1a).
2. Install the interface cards into the option module slots (do not remove the protective cover); observe correct orientation. The interface card will remain at an angle with respect to the plastic.
3. Line up and clip the option module support mounting frame to the drive in the direction shown.



0478-0463-02

Figure 1-2 SI-Option module installation



1. Remove the protective interface card cover. If only one option module slot is required, only remove one protective interface card cover.
2. Align and insert the option module tab into the slot on the drive plastic.
3. Once the option module tab is located into the slot on the drive, push down at the rear of the option module until it clicks in place.

NOTE

Once fitted, the SI option module remains at an angle with respect to the drive.

