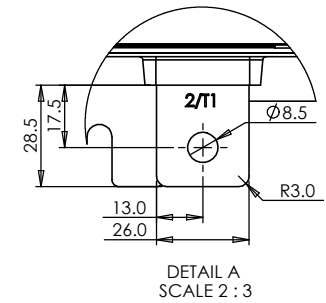
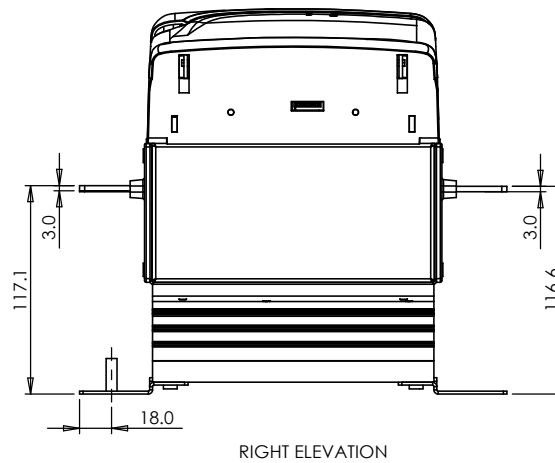
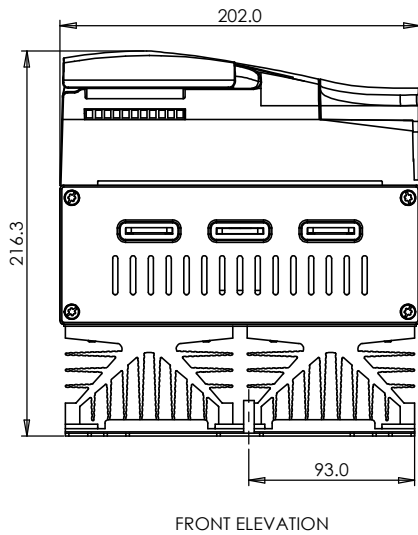
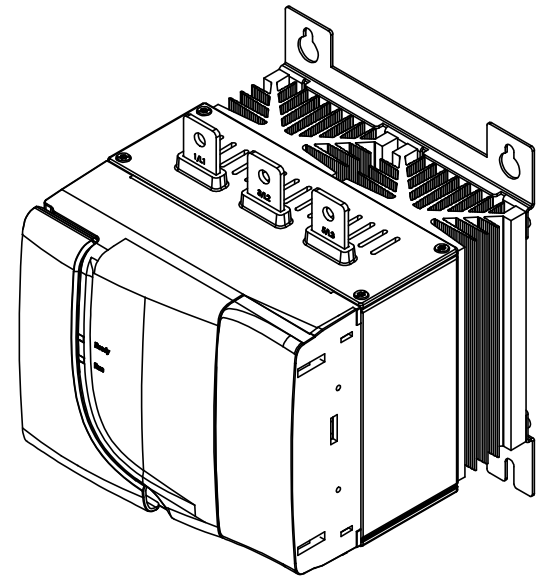
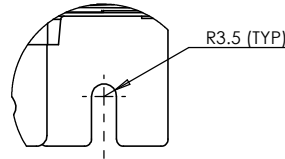
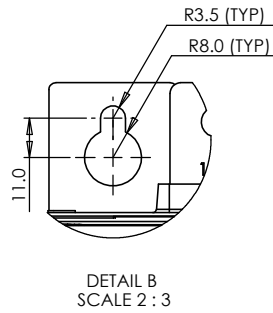
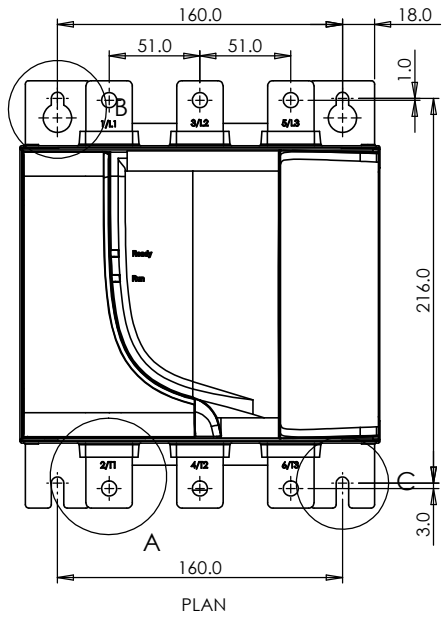


DO NOT SCALE DRAWING, IF IN DOUBT, PLEASE ASK.

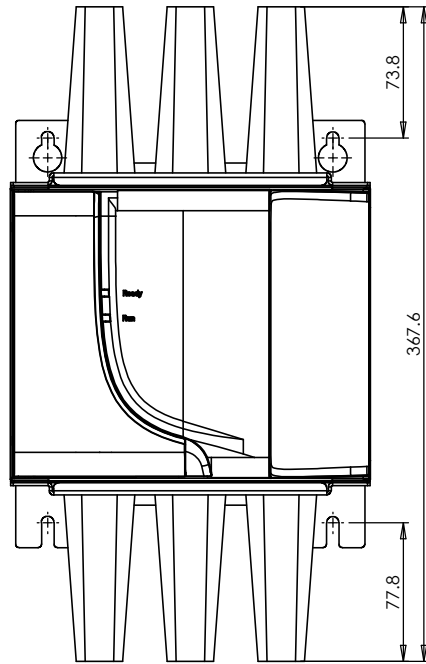


CTLS Large 0140 To 0200
Customer Drawing

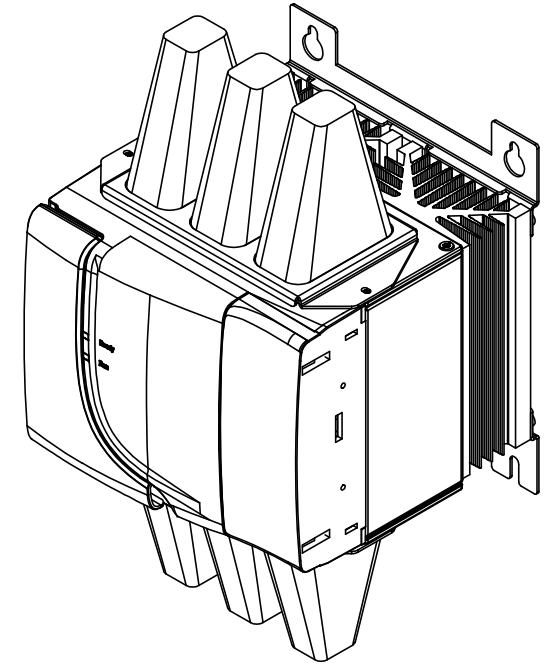
DWN: J.Clarke 04/07/2012

A	04/07/2012	Initial Release	Scale: 1:5	Sheet: A3	Sheet 1 of 3	Drawing Number:	Rev:
Rev	Date	Revision Note.	Drawing File Name: 722-14304-00			722-14304-00	A

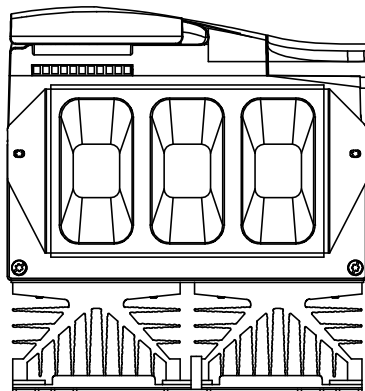
DO NOT SCALE DRAWING, IF IN DOUBT, PLEASE ASK.



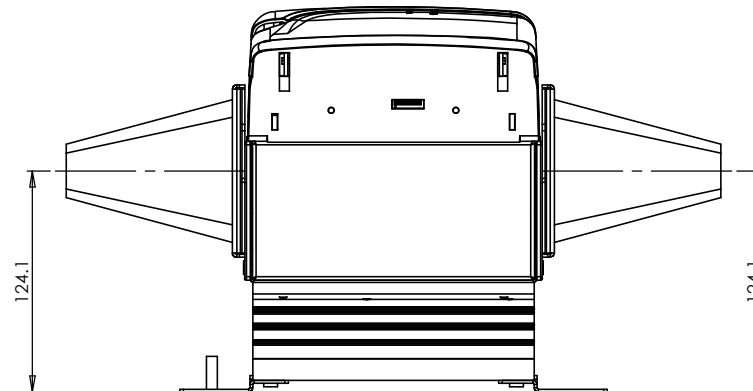
PLAN



PICTORIAL (WITH FINGER GUARDS)



FRONT ELEVATION



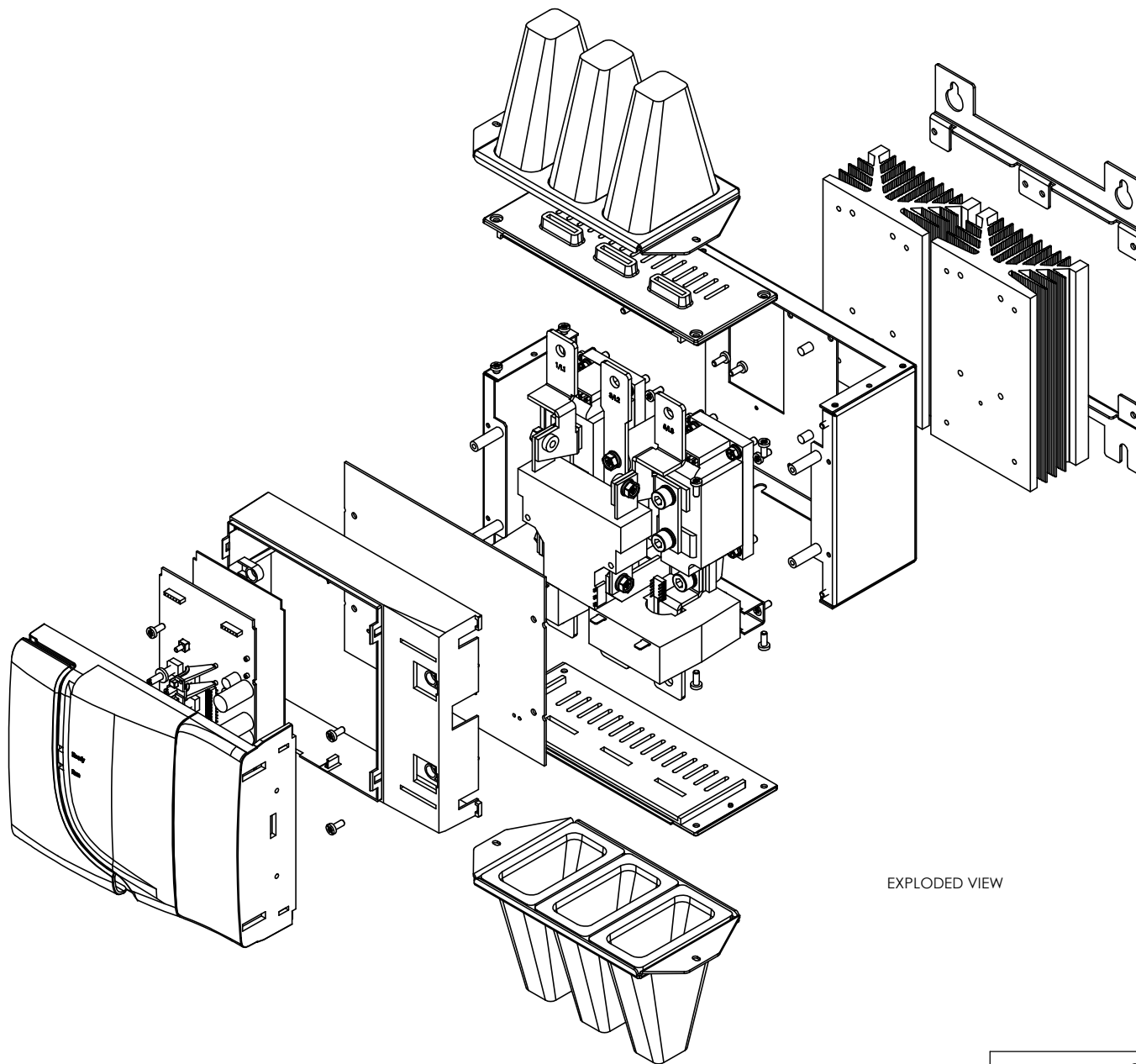
RIGHT ELEVATION

CTLS Large 0140 To 0200
Customer Drawing

DWN: J.Clarke 04/07/2012

A	04/07/2012	Initial Release	Scale: 1:5	Sheet: A3	Sheet 2 of 3	Drawing Number:	Rev:
Rev	Date	Revision Note.	Drawing File Name: 722-14304-00			722-14304-00	A

DO NOT SCALE DRAWING, IF IN DOUBT, PLEASE ASK.



EXPLODED VIEW

DWN: J.Clarke 04/07/2012

CTLS Large 0140 To 0200
Customer Drawing

A	04/07/2012	Initial Release	Scale: 1:5	Sheet: A3	Sheet 3 of 3	Drawing Number:	Rev:
Rev	Date	Revision Note.	Drawing File Name: 722-14304-00			722-14304-00	A